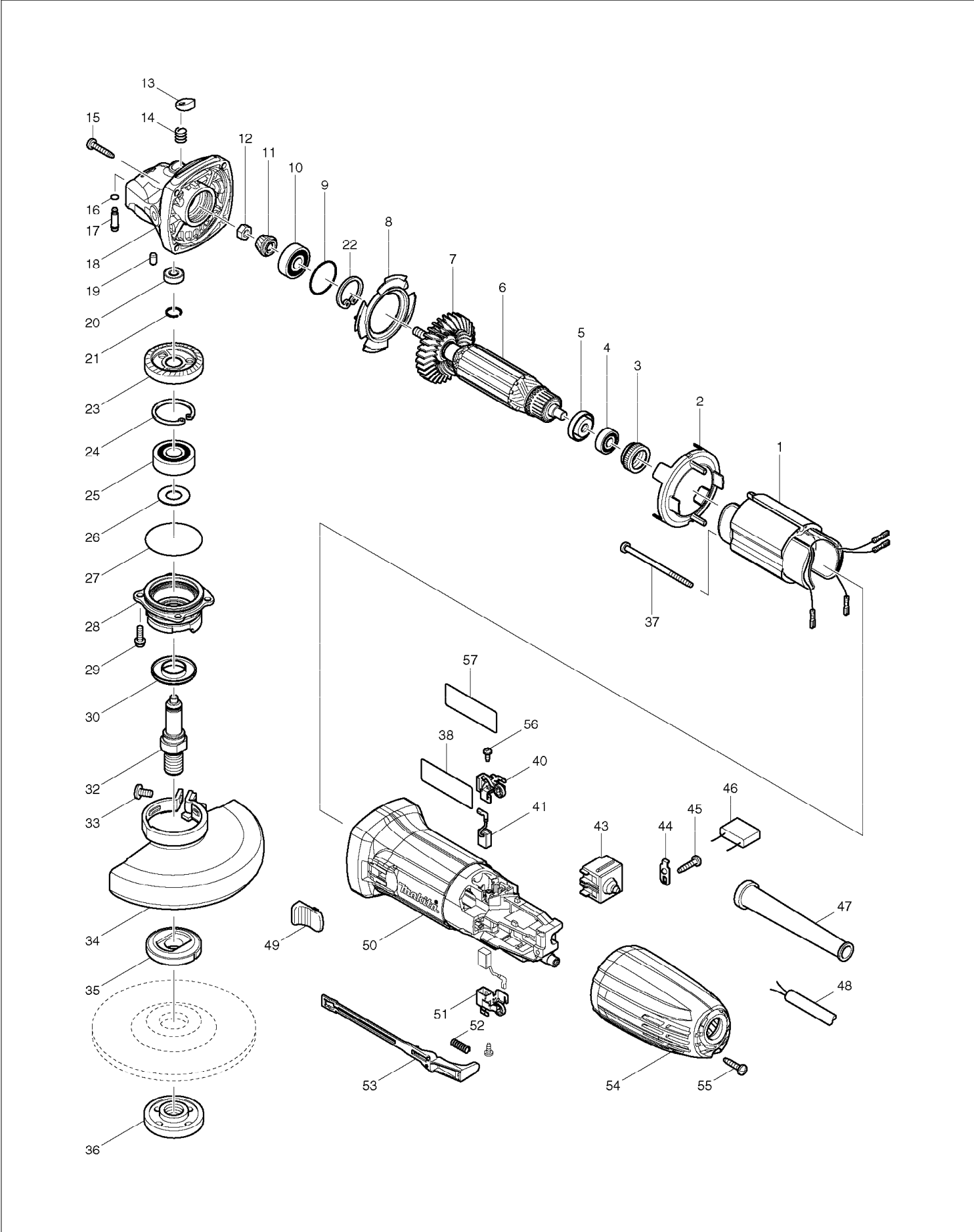


SERVICE DRAWING

MODEL NO. GA5030



SPARE PARTS LIST

PAGE 1

MODEL NO. GA5030

ITEM	PART NO.	DESCRIPTION	QTY	NOTE
001	623533-4	FIELD 220-240V	1	
002	450796-7	BAFFLE PLATE	1	
003	421868-5	LABYRINTH RUBBER RING 19	1	
004	210034-7	BALL BEARING 607LLB	1	
005	681636-0	INSULATION WASHER	1	
006	517649-4	ARMATURE ASS'Y 240V INC. 4,5,7	1	
007	240107-2	FAN 56	1	
008	413126-3	GUIDE PLATE	1	
009	213445-5	O-RING 26	1	
010	211092-6	BALL BEARING 629DDW	1	
011	227545-5	SPIRAL BEVEL GEAR 10	1	
012	252186-8	HEX. NUT M6	1	
013	417771-6	PIN CAP	1	
014	234057-1	COMPRESSION SPRING 8	1	
015	266324-6	TAPPING SCREW 4X22	4	
016	213960-9	O RING 5	1	
017	256510-7	SHOULDER PIN 4	1	
018	318335-8	GEAR HOUSING	1	
019	263002-9	RUBBER PIN 4	1	
020	210033-9	BALL BEARING 696ZZ	1	
021	233950-6	RING SPRING 11	1	
022	962105-3	RETAINING RING R-26	1	
023	227546-3	SPIRAL BEVEL GEAR 37	1	
024	962151-6	RETAINING RING R-32	1	
025	211129-9	BALL BEARING 6201DDW	1	
026	267113-2	FLAT WASHER 12	1	
027	213561-3	O RING 42	1	
028	318336-6	BEARING BOX	1	
029	265099-4	PAN HEAD SCREW M4X14	4	
030	345464-4	LABYRINTH RING	1	
032	324954-0	SPINDLE	1	
033	265180-1	PAN HEAD SCREW M5X16	1	
034	135240-2	WHEEL COVER ASS'Y INC. 33	1	
035	224415-9	INNER FLANGE 42	1	
036	224554-5	LOCK NUT 14-45	1	
037	266325-4	TAPPING SCREW 4X70	2	
038	866062-6	GA5030 NAME PLATE	1	
040	643839-4	BRUSH HOLDER 6X9	1	
041	194722-3	CARBON BRUSH CB-459	1	
043	650560-8	SWITCH DPX-2110-R	1	
044	687681-3	STRAIN RELIEF	1	
045	266326-2	TAPPING SCREW 4X18	1	
046	645200-1	NOISE SUPPRESSOR	1	
047	682559-5	CORD GUARD 8	1	
048	665394-6	POWER SUPPLY CORD 1.0-2-2.5	1	
049	419566-3	SWITCH KNOB	1	
050	450795-9	MOTOR HOUSING	1	
051	643839-4	BRUSH HOLDER 6X9	1	
052	233121-5	COMPRESSION SPRING 4	1	
053	450797-5	SWITCH LEVER	1	
054	450794-1	REAR COVER	1	
055	266326-2	TAPPING SCREW 4X18	1	
056	265954-0	TAPPING SCREW BIND PT3X8	2	
057	819327-5	CLEAR LABEL	1	
A01	153504-2	GRIP 36 COMPLETE	1	
A02	782423-1	LOCK NUT WRENCH 35	1	
A03	823294-8	ALUMINUM CASE	1	
A04	P-45761	DIAMOND WHEEL 125MM	1	
E01	808153-7	SAFETY INSTRUCTION LABEL	1	